



Follow the Leader™

Floral • Deli • Seafood • Meat • Bakery • Produce • Front End

INTRODUCING UNISOURCE HEAVY DUTY *Conical* ROUNDER

3600 Dough
Pieces Per
Hour



Great for
Soft & Hard
Doughs

This Unisource heavy duty Conical Rounder is designed with a rotating cone and adjustable spiral shaped corrosion resistant tracks. **Great for soft or hard doughs.**

The dough becomes **perfectly rounded** while moving from bottom to top in the tracks, which are **adjustable**. The machine is also equipped with a **newly designed mechanical flour duster** which does not produce any noise while working.

The standard rounding track is 3 meters. The weight range is from 3.5 oz. - 42.3 oz. (Flour and water ratio is less than 50%). Electric power 0.55 kw - 220/60/3 Phase.

EXCLUSIVE FEATURES

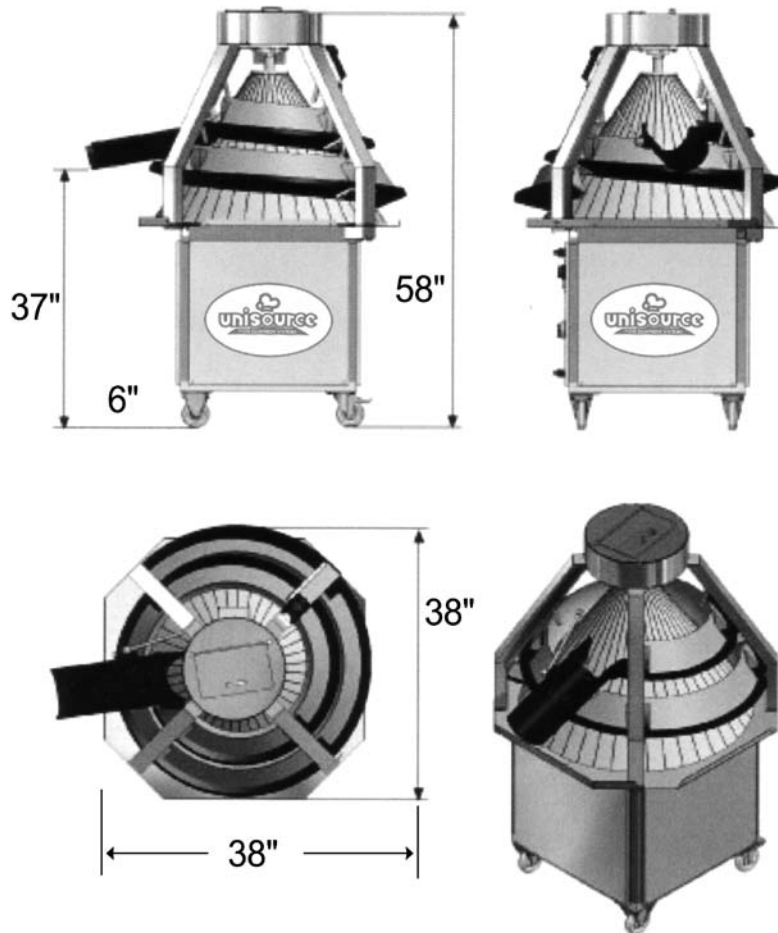
- Drive motor with soft drive fitted in base.
- Transmission via double "V" belts.

- 3600 dough pieces/hour.
- **Heavy duty stainless steel chassis** and lids aluminum cone and spiral channels.
- **Adjustable spiral channels**
- **Noiseless flour sprinkler**
- 24 V control board
- Wheel mounted and locking unit
- Machine weight 1015 Lbs.
- Teflon coated aluminum cone and spiral shaped channel (optional)
- **Cold air blower**
- Hot air blower (optional)
- Variable cone speed via frequency converter (optional)
- Stainless steel lids or PVC
- 24/7 National Service
- 1 Year Parts & labor



Follow the Leader™

UNISOURCE HEAVY DUTY *Conical* ROUNDER



TECHNICAL SPECIFICATIONS

Features	
External Dimensions (L x w x h)	38" x 38" x 58"
Standard Rounding Track	3
Net weight (in lbs.)	452 lbs.
Weight Ranges	3.5 oz. - 42.3 oz.
Motor Power	220/60/3 Phase
Capacity Range	3600 Pieces/Hour

Direct Phone & Service: (516) 527-3309 • (888) 443-7014 • info@unisourcefoodequipment.com • unisourcefoodequipment.com
 170 Wilbur Place, Suite 300, Bohemia, New York, 11716