



**INTRODUCING**  
**THE UNISOURCE HEAVY DUTY**  
**ROUND-A-BOUT VI™**  
**14 PART FULLY AUTOMATIC BUN DIVIDER/ROUNDER**  
**For Large Buns & Rolls**

***Features:***

- Exclusive - Mechanical rounding operation
- Total weight: 2 lbs. to 8.8 lbs.
- Finished weight: 4.5 oz - 8.8 oz
- Heavy Duty Cast iron base w/casters (easy to store)
- S/S cutting knives with adjustable pressure
- Aluminum alloy/teflon coated dividing disc
- Quiet belt driven operation
- Removable pressing handle
- 2800 pieces per hour production capability
- Adjustable weight bar
- Easy to clean dividing disc (Dual-direction hinged head)
- Includes 3 sanitary moulding plates
- Power cord (no plug)
- CE approved . Conforms to UL and NSF standards
- One year parts/labor warranty
- 24/7 nationwide support

***Accessories:***

- Additional moulding plates

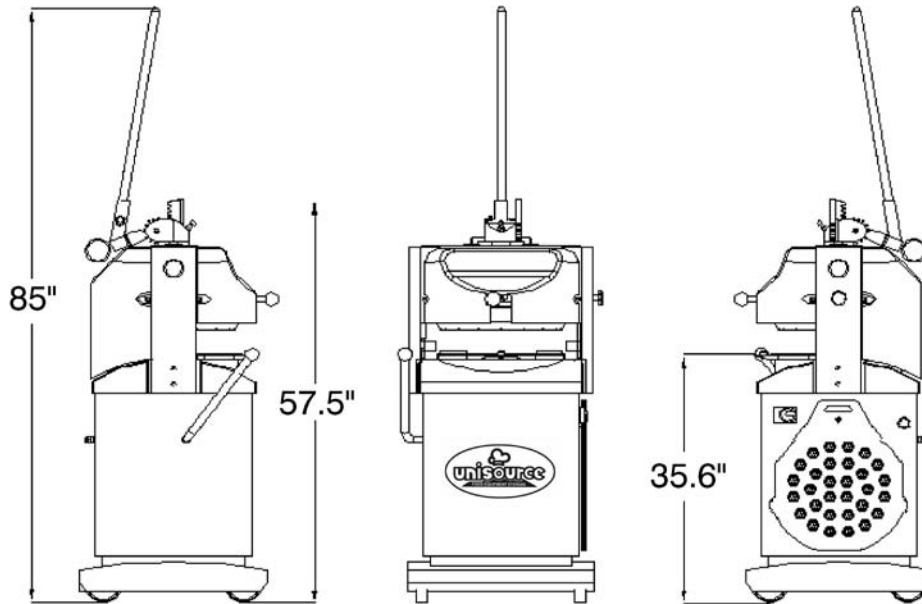


**ROUND-A-BOUT IV™**  
**SEMI-AUTOMATIC DIVIDER/ROUNDER**  
**Heavy Duty Cast Iron Base Built to Last with**  
**Electric-Mechanical Rounding Operation**  
**Model UNI-SDR-14**



Follow the Leader™

**INTRODUCING**  
**THE UNISOURCE HEAVY DUTY**  
**ROUND-A-BOUT IV™**  
**14 PART FULLY AUTOMATIC BUN DIVIDER/ROUNDER**



**Technical Data**

<b>Model</b>	<b>UNI-SDR-14</b>
<b>Operation</b>	<b>Semi-Automatic</b>
<b>Minimum Dough Capacity</b>	<b>2 lbs</b>
<b>Maximum Dough Capacity</b>	<b>8.8 lbs.</b>
<b>Final Product Range (wt.)</b>	<b>4.5 oz. to 8.8 oz.</b>
<b>Maximum Production Output</b>	<b>2800 pieces per hour</b>
<b>Electrical</b>	<b>240/60/3 @ 3.2 amps 1.3 kw</b>

**Dimensions**

<b>Overall Dimensions</b>	<b>28" W x 27" D x 64" H</b>
<b>Weight</b>	<b>765 lbs.</b>
<b>Shipping Dimensions</b>	<b>29.5" W x 29.5" D x 74.4" H</b>
<b>Shipping Weight</b>	<b>875 lbs</b>

Direct Phone & Service: (516) 527-3309 • (888) 443-7014 • info@unisourcefoodequipment.com • unisourcefoodequipment.com  
170 Wilbur Place, Suite 300, Bohemia, New York, 11716