



Follow the Leader™

Floral • Deli • Seafood • Meat • Bakery • Produce • Front End

**INTRODUCING**  
**THE UNISOURCE HEAVY DUTY**  
**ROUND-A-BOUT III™**  
**36 PART SEMI AUTOMATIC**  
**BUN DIVIDER/ROUNDER**

**Features:**

- Exclusive - Mechanical rounding operation
- Dough capacity 2 lbs. to 7 lbs. 10 oz.  
Finished wt. 7/8 oz. to 3.4 oz.
- Heavy Duty Cast iron base w/casters (easy to store)
- S/S cutting knives with adjustable pressure
- Aluminum alloy/teflon coated dividing disc
- Quiet belt driven operation
- Removable pressing handle
- 2800 pieces per hour production capability
- Adjustable weight bar
- Easy to clean dividing disc (Dual-direction hinged head)
- Includes 3 sanitary moulding plates
- Power cord (no plug)
- One year parts/labor warranty
- 24/7 nationwide support

**Accessories:**

- Additional moulding plates

**Options:**

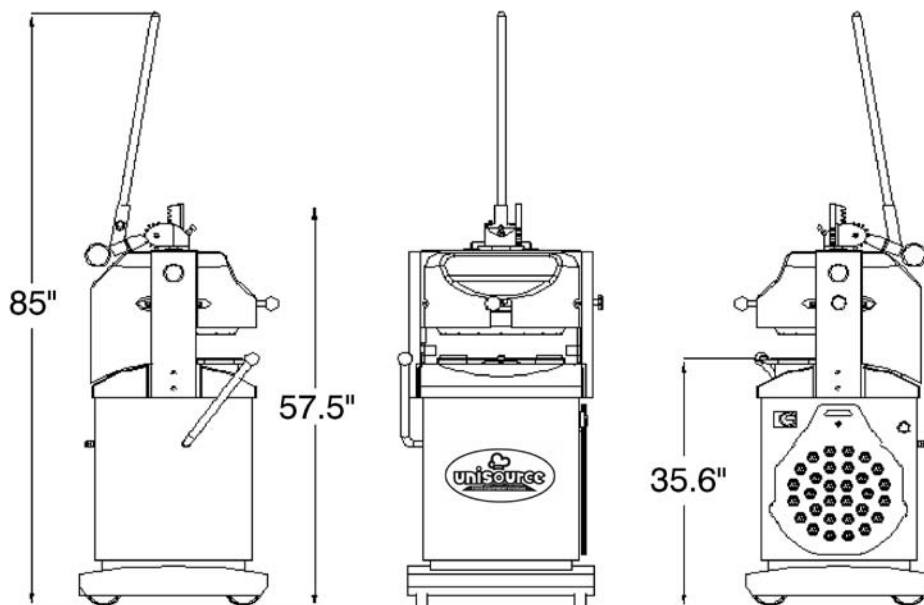
- UNI-BDR-30L3 (30 part 1 oz. to 3.9 oz.)



**ROUND-A-BOUT III™**  
**SEMI-AUTOMATIC DIVIDER/ROUNDER**  
**Heavy Duty Cast Iron Base Built to Last with**  
**Electric-Mechanical Rounding Operation**  
**Model UNI-BDRS-36L3**

*Follow the Leader™*

**INTRODUCING**  
**THE UNISOURCE HEAVY DUTY**  
**ROUND-A-BOUT III™**  
**36 PART SEMI AUTOMATIC BUN DIVIDER/ROUNDER**



**Technical Data**

|                                  |                                   |
|----------------------------------|-----------------------------------|
| <b>Model</b>                     | <b>UNI-BDRS-36L3</b>              |
| <b>Operation</b>                 | <b>Semi-Automatic</b>             |
| <b>Minimum Dough Capacity</b>    | <b>2 lbs.</b>                     |
| <b>Maximum Dough Capacity</b>    | <b>7 lbs. 10 oz.</b>              |
| <b>Final Product Range (wt.)</b> | <b>7/8 oz. to 3.4 oz.</b>         |
| <b>Maximum Production Output</b> | <b>2800 pieces per hour</b>       |
| <b>Electrical</b>                | <b>240/60/3 @ 3.2 amps 1.3 kw</b> |

**Dimensions**

|  |                                    |
|--|------------------------------------|
| <b>Overall Dimensions (w/o handle)</b> | <b>24.5" W x 26" D x 57.5" H</b>   |
| <b>Overall Dimensions (w/handle)</b>   | <b>24.5" W x 26" D x 85" H</b>     |
| <b>Weight</b>                          | <b>715 lbs.</b>                    |
| <b>Shipping Dimensions</b>             | <b>29.5" W x 29.5" D x 74.4" H</b> |
| <b>Shipping Weight</b>                 | <b>825 lbs</b>                     |

Direct Phone & Service: (516) 527-3309 • (888) 443-7014 • [info@unisourcefoodequipment.com](mailto:info@unisourcefoodequipment.com) • [unisourcefoodequipment.com](http://unisourcefoodequipment.com)  
170 Wilbur Place, Suite 300, Bohemia, New York, 11716