

*Follow the Leader™*

**INTRODUCING**  
**THE UNISOURCE HEAVY DUTY**  
**ROUND-A-BOUT II™**  
**36 PART SEMI AUTOMATIC**  
**BUN DIVIDER/ROUNDER**

***Features:***

- Exclusive - Mechanical rounding operation
- Dough capacity 2.5 lbs. to 8.8 lbs.  
Finished wt. 1.1 oz. to 3.9 oz.
- Heavy Duty Cast iron base w/casters (easy to store)
- S/S cutting knives
- Aluminum alloy/teflon coated dividing disc
- Quiet belt driven operation
- Removable pressing handle
- 2800 pieces per hour production capability
- Adjustable weight bar
- Easy to clean dividing disc
- Includes 3 sanitary moulding plates
- Power cord (no plug)
- One year parts/labor warranty
- 24/7 nationwide support

***Accessories:***

- Additional moulding plates

***Options:***

- ABDR-14 (14 part 4.5 oz. to 8.75 oz.)
- ABDR-30/3 (30 part 1 oz. to 3.5 oz.)
- ABDR-30/4 (30 part 1.4 oz. to 4.5 oz.)
- ABDR-52 (52 part .7 oz. to 1 oz.)

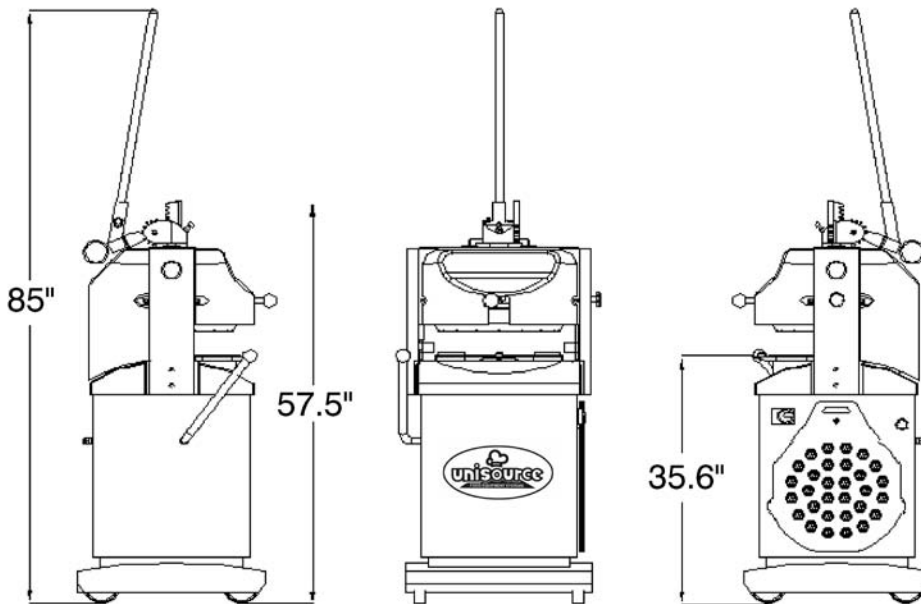


**ROUND-A-BOUT II™**  
**SEMI-AUTOMATIC DIVIDER/ROUNDER**  
**Heavy Duty Cast Iron Base Built to Last with**  
**Electric-Mechanical Rounding Operation**  
**Model UNI-BDRS-36L**



*Follow the Leader™*

**INTRODUCING**  
**THE UNISOURCE HEAVY DUTY**  
**ROUND-A-BOUT II™**  
**36 PART SEMI AUTOMATIC BUN DIVIDER/ROUNDER**



**Technical Data**

<b>Model</b>	<b>UNI-BDRS-36L</b>
<b>Operation</b>	<b>Semi-Automatic</b>
<b>Minimum Dough Capacity</b>	<b>2.5 lbs</b>
<b>Maximum Dough Capacity</b>	<b>8.8 lbs.</b>
<b>Final Product Range (wt.)</b>	<b>1.1 oz. to 3.9 oz.</b>
<b>Maximum Production Output</b>	<b>2800 pieces per hour</b>
<b>Electrical</b>	<b>240/60/3 @ 3.2 amps 1.3 kw</b>

**Dimensions**

<b>Overall Dimensions (w/o handle)</b>	<b>24.5" W x 26" D x 57.5" H</b>
<b>Overall Dimensions (w/handle)</b>	<b>24.5" W x 26" D x 85" H</b>
<b>Weight</b>	<b>715 lbs.</b>
<b>Shipping Dimensions</b>	<b>29.5" W x 29.5" D x 74.4" H</b>
<b>Shipping Weight</b>	<b>825 lbs</b>

Direct Phone & Service: (516) 527-3309 • (888) 443-7014 • [info@unisourcefoodequipment.com](mailto:info@unisourcefoodequipment.com) • [unisourcefoodequipment.com](http://unisourcefoodequipment.com)  
170 Wilbur Place, Suite 300, Bohemia, New York, 11716