



Increase Your Quality with Old World Technology

HEAVY DUTY COMPACT BENCH DOUGH SHEETER™

This heavy duty countertop sheeter is an efficient 3 roller, two stage machine featuring quick change handles, front in-feed, front out-feed belt and powerful 1 HP motor.

Sheets up to 20" and makes approximately 600 pieces per hour. Save thousands on labor with uniform dough sheeting. Easy to operate.

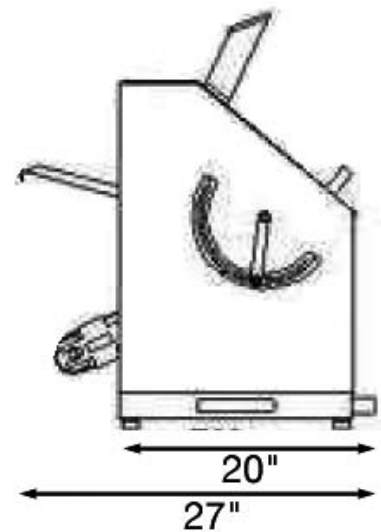
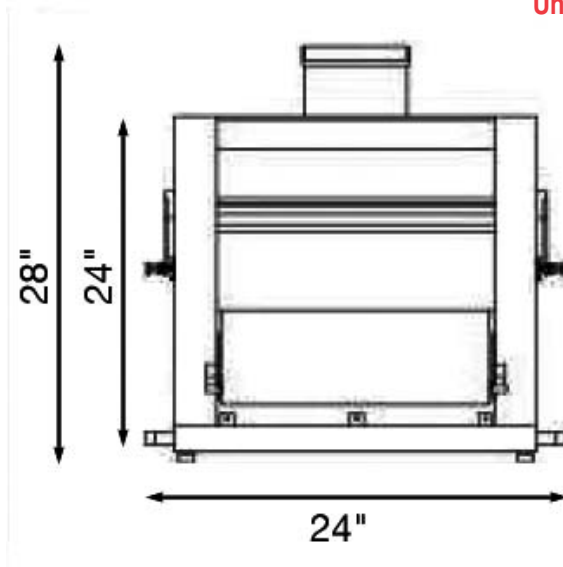


**Heavy Duty
COMPACT BENCH SHEETER™**
with 3 Roller, Two Stage Machine for
Uniform Dough Sheeting UNI-COMPACT-BDS

Ideal For:

- Sweet Doughs
- Pizza Doughs
- Calzones
- Pie Crusts
- Pita Bread
- Flour Tortilla's
- Wraps
- Donut Dough
- Cookies
- Pierogies

**EASY ACCESS TO
TEFLON STYLE ROLLERS
FOR CLEARING OF DOUGH
& EASY CLEANING**



Specifications

Power - 0.75Kw/10 Amps

Dough Base Diameter: Up to 20 Inches

Dough Base Thickness: 0 - .63 Inches

No. of Pieces Per Hour: 600

N.W: 385 lbs.

Plug N' Go Operation: 110V Single Phase

Safe, Simple, Easy To operate

Direct Phone & Service: (516) 527-3309 • (888) 443-7014 • info@unisourcefoodequipment.com • pizzartconcepts.com
170 Wilbur Place, Suite 300, Bohemia, New York, 11716