



Follow the Leader™

## NON-BELTED CHECKOUT UNI-NBCO-5 SERIES

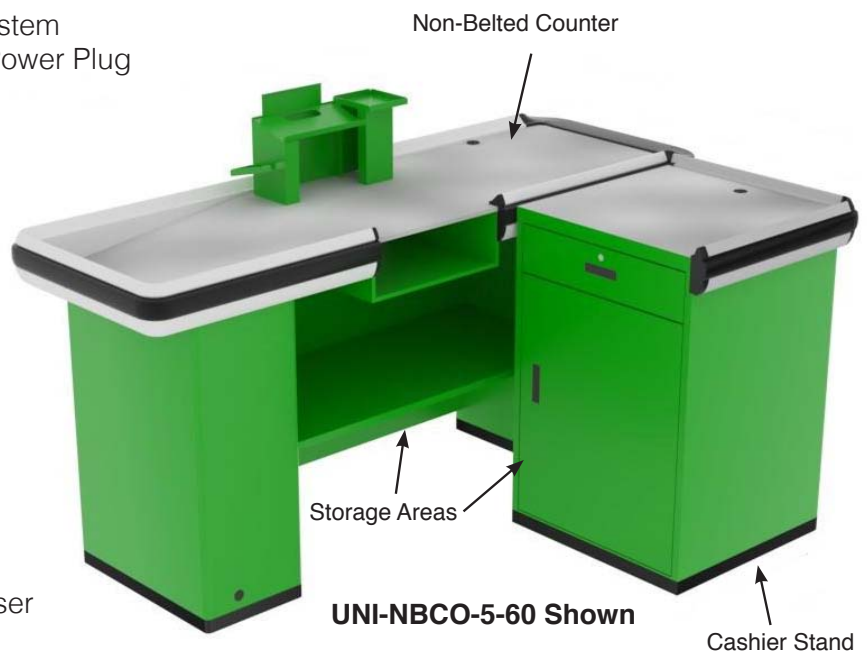
Introducing the **Unisource Non-Belted Checkout Series** for Supermarkets, Convenience and Dollar Stores, Discount Drug and Specialty Retail. We offer high quality workmanship and construction that's built to last. Available in many other non-belted checkouts. We also can custom build any unit to your spec!

### STANDARD FEATURES

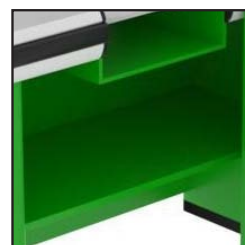
- Includes Non-Belted, One Unit Of System
- Grommet Hole In Cashier Stand for Power Plug
- Cash Shield
- Outside storage with Shelf
- Plastic Upper Bumper Guards
- Protective Corners
- Stainless Steel Deck Surface
- Many Exterior Colors Available
- Utility Drawer
- Access Panel
- Isolated Ground Circuit
- 120 Volts
- Two Order Dividers

### OPTIONS

- Laminate Deck Surface
- Extra Order Dividers
- Electrical Receptacle For Merchandiser
- Lane Closure Gate
- Cash Stand
- Chrome Bag Rack
- Diverter Bar
- Security Mirror
- EFT Holder
- Scanner Kit
- Keyboard Stand With EFT Holder or Keyboard Stand Only
- Monitor/Readout Post
- A.D.A. Check Writer
- Extra Bumper Protection
- Many Custom Color Options Available



Angled Counter



Storage area



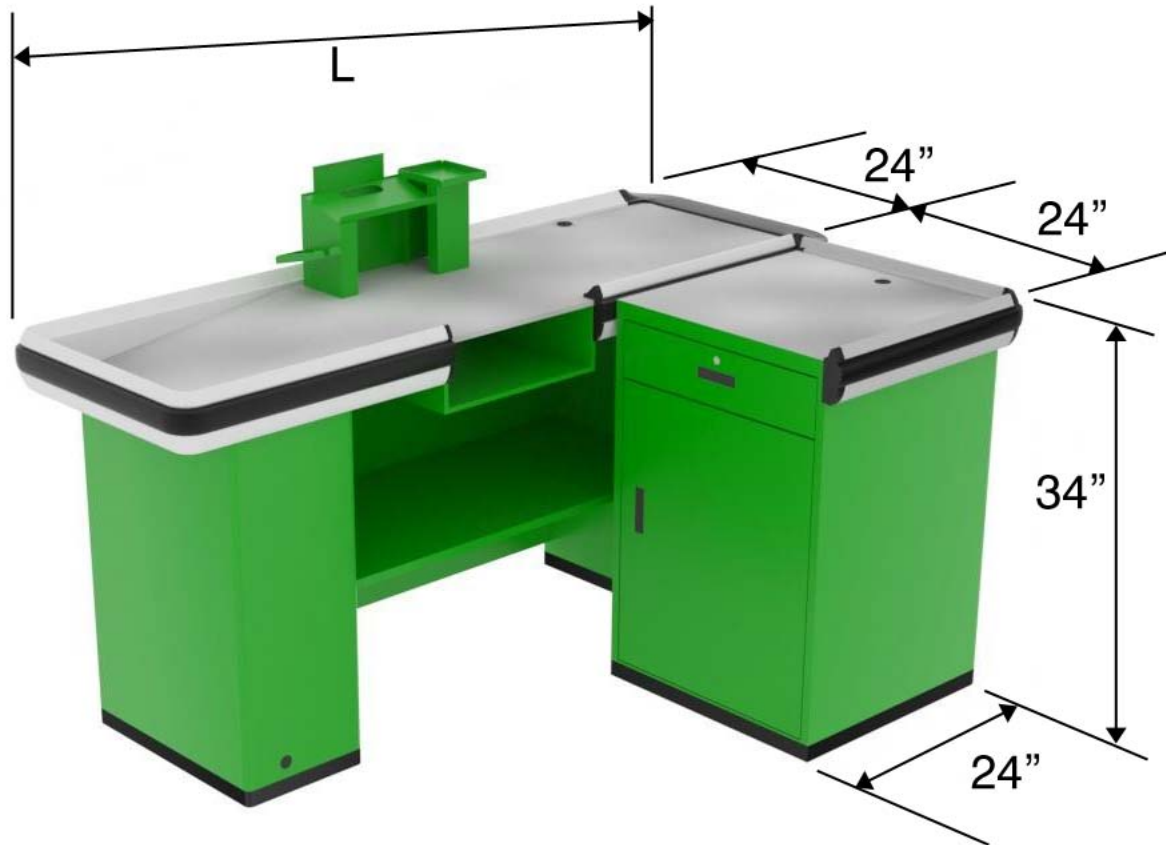
Cashier Drawer

Direct Phone & Service: (516) 527-3309 • (888) 443-7014 • [info@unisourcefoodequipment.com](mailto:info@unisourcefoodequipment.com) • [unisourcefoodequipment.com](http://unisourcefoodequipment.com)  
170 Wilbur Place, Suite 300, Bohemia, New York, 11716

*Follow the Leader™*

# NON-BELTED CHECKOUT

## UNI-NBCO-5 SERIES



Model	Overall Length (L)	Overall Width (W)	Overall Height (H)	Front Counter Width	Under Counter Storage L x W (A)	Cashier Stand	Weight (Lbs.)
UNI-NBCO-5-60	60"	48"	34"	24"	32.5" x 24"	24" x 24"	200 lbs.
UNI-NBCO-5-72	72"	48"	34"	24"	44.5" x 24"	24" x 24"	250 lbs.
UNI-NBCO-5-84	84"	48"	34"	24"	56.5" x 24"	24" x 24"	350 lbs.

Direct Phone & Service: (516) 527-3309 • (888) 443-7014 • [info@unisourcefoodequipment.com](mailto:info@unisourcefoodequipment.com) • [unisourcefoodequipment.com](http://unisourcefoodequipment.com)  
170 Wilbur Place, Suite 300, Bohemia, New York, 11716