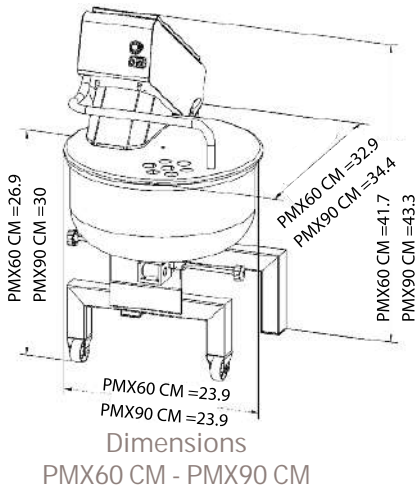


PMX60 CM & PMX90 CM

- 304 Stainless Steel (body, lid,...)
- Motorized bowl - 2 motors
- Arm can be raised
- Removable arm (available on request)
- Tipping bowl
- 2 wheels
- Entirely waterproof - Easy cleaning
- Grease bath gearbox (greased for life)
- Easy access for cleaning



Loading position



Cleaning position
