



## HALSTON DESIGNER SERIES **CURVED GLASS REFRIGERATED COUNTERTOP DISPLAY CASES**

**Standard Features:**

- Countertop Display.
- Exterior Triple Glazed Safety Glass With Heater. Curved Glass Design.
- Adjustable Shelves With LED Lights & Shelf Brackets.
- Two Rear Sliding Doors.
- Adjustable Legs.

**Additional Features For Refrigeration Units**

- Fan Cooling Refrigeration System.
- High Quality Digital Temperature Controller.
- Automatic Defrost System.
- CFC-Free R-290 Refrigerant.
- Range Of Temperature: 36° - 41° F.

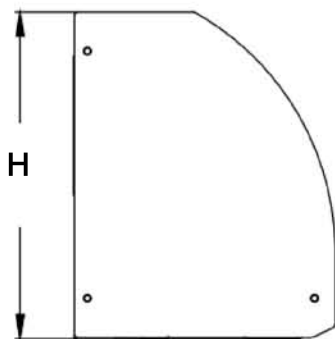
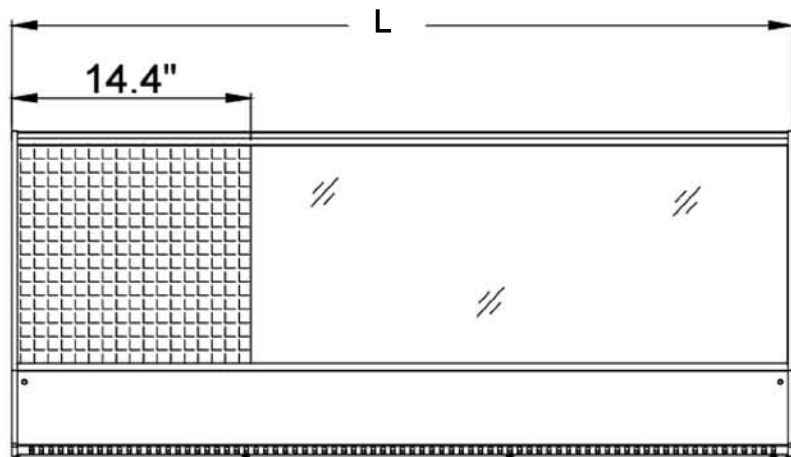
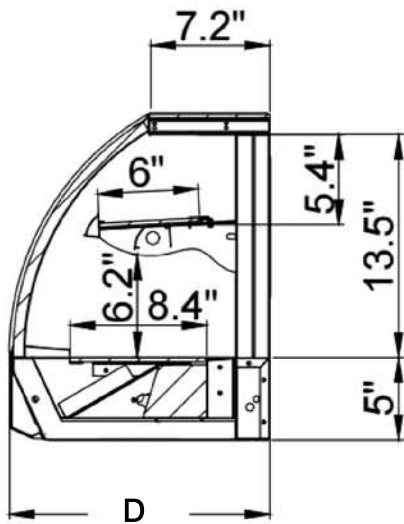


**UNI-CP540A Shown**

Model	Doors	Capacity (Cu. Ft)	Shelves	Cabinet Dimensions			HP	Voltage	Amps	Wt. (lbs)
				L	D	H				
<b>REFRIGERATED DISPLAYS</b>										
UNI-CP530A*	2	2.4	2	35.4"	15.7"	19.7"	1/3	115V/60Hz	3.5	128
UNI-CP540A*	2	3.0	2	47.2"	15.7"	19.7"	1/3	115V/60Hz	3.8	165
UNI-CP550A*	2	3.6	2	59"	15.7"	19.7"	1/3	115V/60Hz	4.2	216
UNI-CP560A*	2	4.4	2	70.8"	15.7"	19.7"	1/3	115V/60Hz	4.0	268



## HALSTON DESIGNER SERIES CURVED GLASS REFRIGERATED COUNTERTOP DISPLAY CASES



**A Great Way To Increase Sales With  
Compact Energy Saving Display  
With A Small Footprint!**

Direct Phone & Service: (516) 527-3309 • (888) 443-7014 • [info@unisourcefoodequipment.com](mailto:info@unisourcefoodequipment.com) • [unisourcefoodequipment.com](http://unisourcefoodequipment.com)  
170 Wilbur Place, Suite 300, Bohemia, New York, 11716