



# Bakery Aid™

Innovation

By Unisource



## HALSTON DESIGNER SERIES

### “Z960” DISPLAY CASES WITH FLAT FRONT

### REFRIGERATED & NON-REFRIGERATED STYLES



**STANDARD DISPLAY**  
UNI-Z960A/ UNI-Z960A-NR



**LARGE DISPLAY**  
UNI-Z960W/ UNI-Z960W-NR

**Standard Features:**

- Three Adjustable Lighted Shelves
- Two Full End Panels With Mirror Interior
- Clear Glass Rear Sliding Doors
- Led Top Light And Shelf Lights & 8 Ft. Cord
- Flat Single Pane Lift-Up Or Fixed Front Glass
- Adjustable Legs With Casters
- Movable Shelves & Shelf Brackets

**Additional Features For Refrigeration Units**

- Fan Cooling Refrigeration System
- High Quality Digital Temperature Controller
- Sliding Out Condensing Unit For Easy Maintenance
- Automatic Defrost System
- CFC-Free R-134A Refrigerant
- Range Of Temperature: 41° F.

| Model                             | Doors | Capacity                  |                          | Shelves | Cabinet Dimensions |         |     | HP  | Voltage   | Amps | Wt. (lbs) |
|-----------------------------------|-------|---------------------------|--------------------------|---------|--------------------|---------|-----|-----|-----------|------|-----------|
|                                   |       |                           |                          |         | L                  | D       | H   |     |           |      |           |
| <b>REFRIGERATED DISPLAYS</b>      |       |                           |                          |         |                    |         |     |     |           |      |           |
| UNI-Z960A<br>UNI-Z960A-NLG*       | 2     | 18"x12"<br>18 Pcs (3x5+3) | 18"x9"<br>24 Pcs (3x7+3) | 3       | 70 1/4"            | 37 1/4" | 54" | 1/2 | 110V/60Hz | 9.20 | 760       |
| UNI-Z960W<br>UNI-Z960W-NLG*       | 2     | 2 1/2 Full Pans/Per Shelf |                          | 3       | 77 1/2"            | 42"     | 54" | 1/2 | 110V/60Hz | 9.20 | 826       |
| <b>NON-REFRIGERATED DISPLAYS</b>  |       |                           |                          |         |                    |         |     |     |           |      |           |
| UNI-Z960A-NR<br>UNI-Z960A-NR-NLG* | 2     | 18"x12"<br>18 Pcs (3x5+3) | 18"x9"<br>24 Pcs (3x7+3) | 3       | 70 1/4"            | 37 1/4" | 54" | -   | 110V/60Hz | .55  | 672       |
| UNI-Z960W-NR<br>UNI-Z960W-NR-NLG* | 2     | 2 1/2 Full Pans/Per Shelf |                          | 3       | 77 1/2"            | 42"     | 54" | -   | 110V/60Hz | .55  | 726       |

\* -NLG Series has non-lifting front glass



# Bakery Aid™

Innovation



## HALSTON DESIGNER SERIES

### “Z960” DISPLAY CASES WITH FLAT FRONT

### REFRIGERATED & NON-REFRIGERATED STYLES

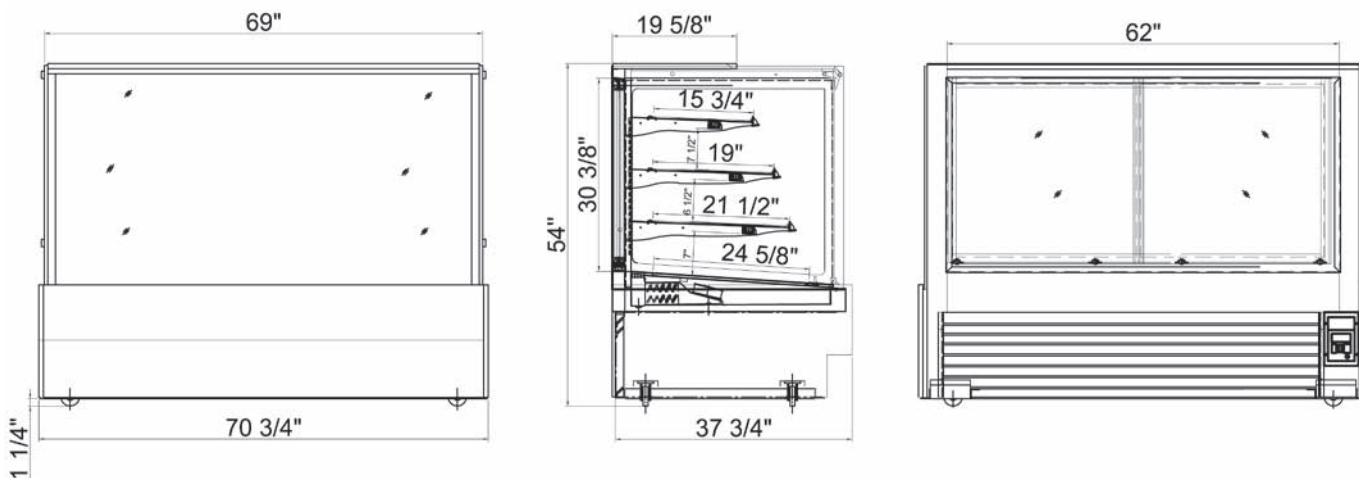
#### Optional 24 Hour Monitoring System

Receive Wifi alerts detected from the display case! Be aware before its to late and losing perishable foods.

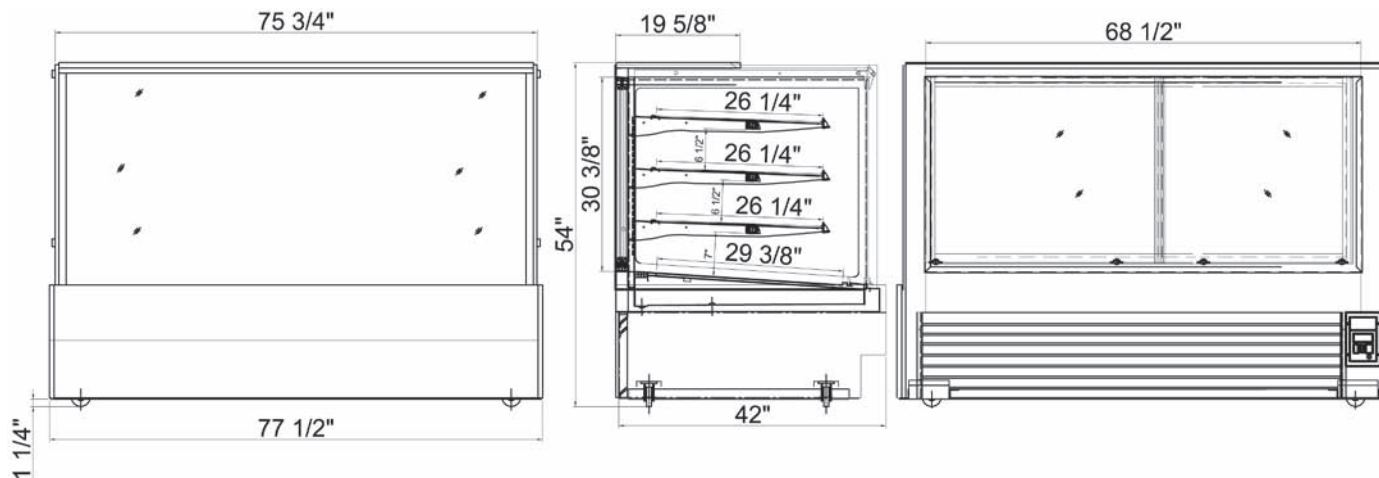
- Model: UNI-CDP-210**
- 3 temperature Sensors
  - 8.5" x 4.7" x 4.1"
  - 115V/60Hz.



#### STANDARD DISPLAY UNI-Z960A/UNI-Z960A-NLG/UNI-Z960A-NR/UNI-Z960A-NR-NLG



#### LARGE DISPLAY UNI-Z960W/UNI-Z960W-NLG/UNI-Z960W-NR/ UNI-Z960W-NR-NLG



Direct Phone & Service: (516) 527-3309 • (888) 443-7014 • [info@unisourcefoodequipment.com](mailto:info@unisourcefoodequipment.com) • [unisourcefoodequipment.com](http://unisourcefoodequipment.com)  
 170 Wilbur Place, Suite 300, Bohemia, New York, 11716